

Articolo /item

Codice / Code

**LITTER BIN ULISSE**

**AC033C / AC033F**

Finitura /Finishing

**GALVANIZED AND POWDER COTED**



Litter bin with lid, composed of a support base and of a container.

The bin is made of steel rods welded to three reinforcement rings (top, centre, bottom) which guarantee stability and robustness

The inner cylindrical liner has a hole at the bottom for the drainage of rain or to ease cleaning operations.

The base can be supplied in concrete or in steel.

The bin is provided with a round lid at the top, with a central hole for the introduction of trash and it is equipped with universal keylock. All steel parts are galvanized and powder coated and are available in different RAL colours. Stainless steel screws.

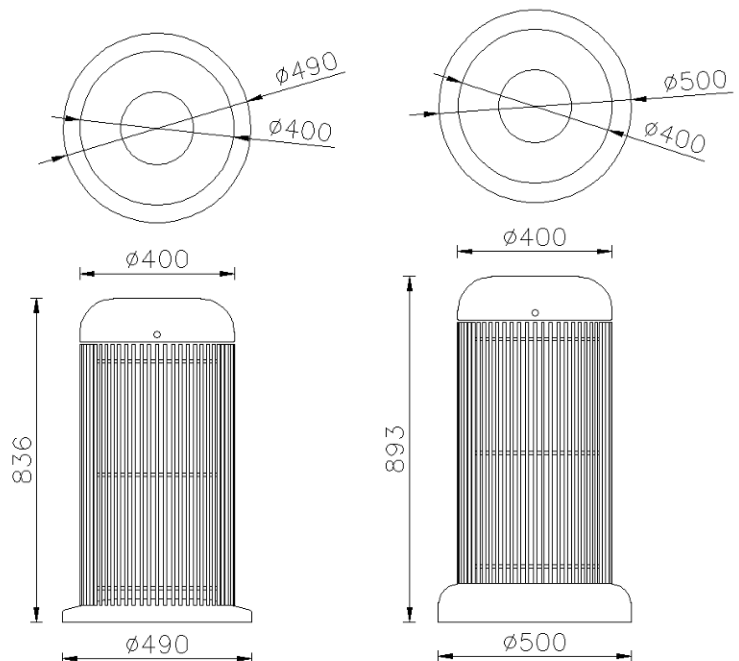
## TECHNICAL INFORMATION

Dimensions  $\varnothing 400$  mm

Height 893 mm with concrete base  
836 mm with steel base

Weight

Capacity 80 lt



## NOTE

Rev. 03/2021