

Articolo /item

Codice / Code

**LITTER BIN BASKET**

**AC019**

Finitura /Finishing

**GALVANIZED AND PAINTED**



Cylindrical-shaped litter bin, obtained by the cold calendering of a steel sheet thickness 10/10 mm, closed by electro-welding.

The top part of the bin is fringed with an electro-welded ring, while the lower part is closed by a dome bottom, conveniently drilled for the periodical cleaning and the drainage of meteoric water.

Litter bin Basket is supplied with a steel bag holder.

The container is fixed to the steel column  $\varnothing 102\text{mm}$  through a couple of hooks, the upper one with universal key locker and the lower one with screw and nut.

Emptying and cleaning occur by a tilt-out opening.

The column is closed in the upper part by a hemispherical cap, while on the base by a circular plate  $\varnothing 240$  th.5 mm, conveniently drilled for the anchoring to the ground with bolts.

Litter Bin Basket is supplied with a lid, which is made by a steel sheet th. 4 mm and welded to the column.

All metal parts are galvanized and powder coated according to RAL range colours.

Screws are in stainless steel.

## TECHNICAL DATA

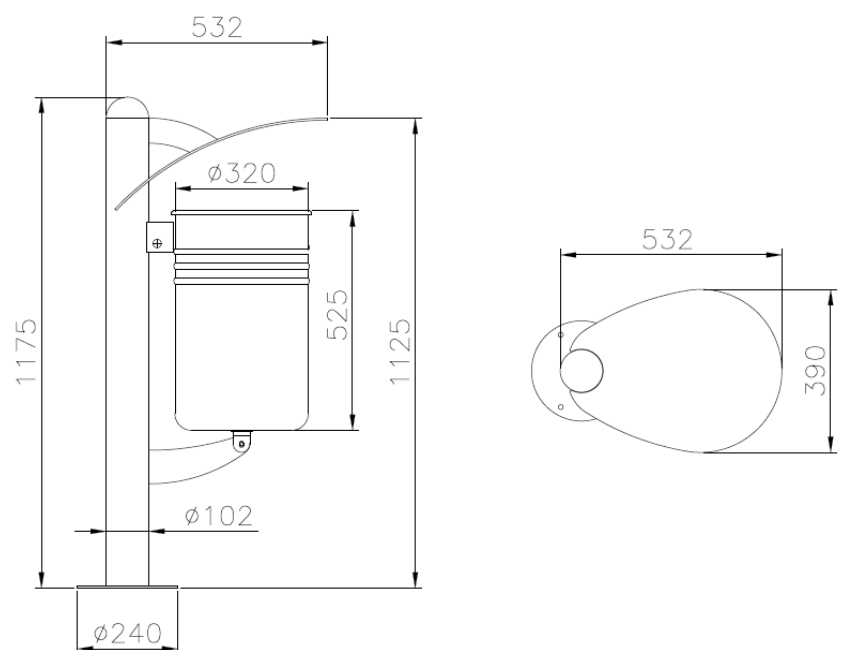
Dimensions  $\varnothing 320$  mm (container)  
L.390 x 532 (support)

Height 525 mm (container)  
1175 mm (support)

Weight 20 kg

Packaging

Capacity 45 L



NOTE