

Item	Code
BENCH SENIOR	AP078/E

Finishing
GALVANIZED AND POWDER COATED



Bench Senior can be supplied with or without backrest; it is realized with structure in galvanized and powder coated steel and wooden slats.

The bench is composed of 2 plate supports, that are reinforced by a laser-cut profile.

Plates that allow the anchoring to the ground with bolts are fixed at the base.

Slats can be in hardwood or in pine wood; pine wood is pressure treated according DIN 68800-3 norms, in order to avoid the attack of fungi, molds and atmospheric agents.

Screws are in stainless steel.

The structure can be painted in various RAL colours.

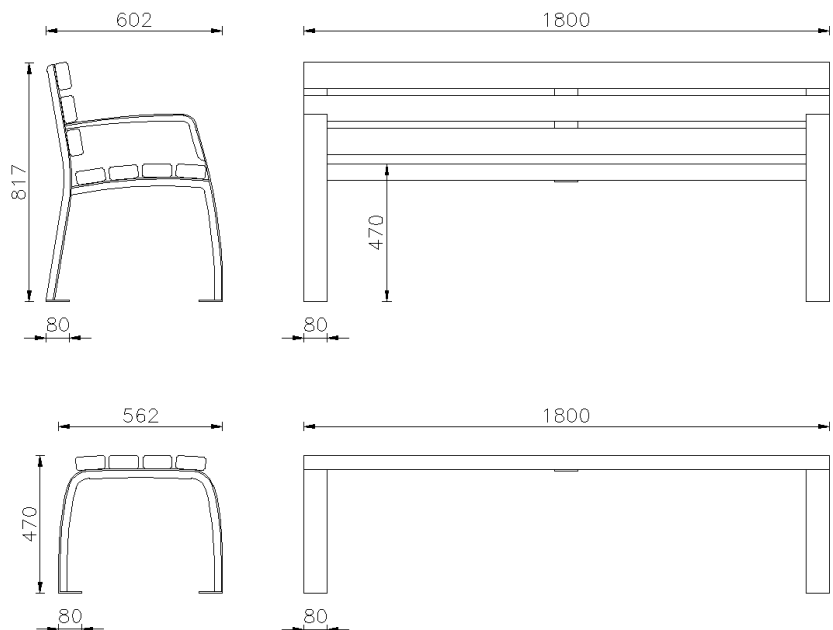
TECHNICAL DATA

Dimensions With backrest: 1800 x 602 mm
Without backrest: 1800x562 mm

Height With backrest: 817 mm
Without backrest: 470 mm

Weight bench with backrest Pine wood: 54 kg
Hardwood: 57 kg

Weight bench without backrest Pine wood: 38 kg
Hardwood: 42 kg



NOTE

Maintenance of the wooden parts :
every 6 Months: check the conditions

12/18 Months (hardwood): oil the surfaces (excluding pressure treated pine wood)