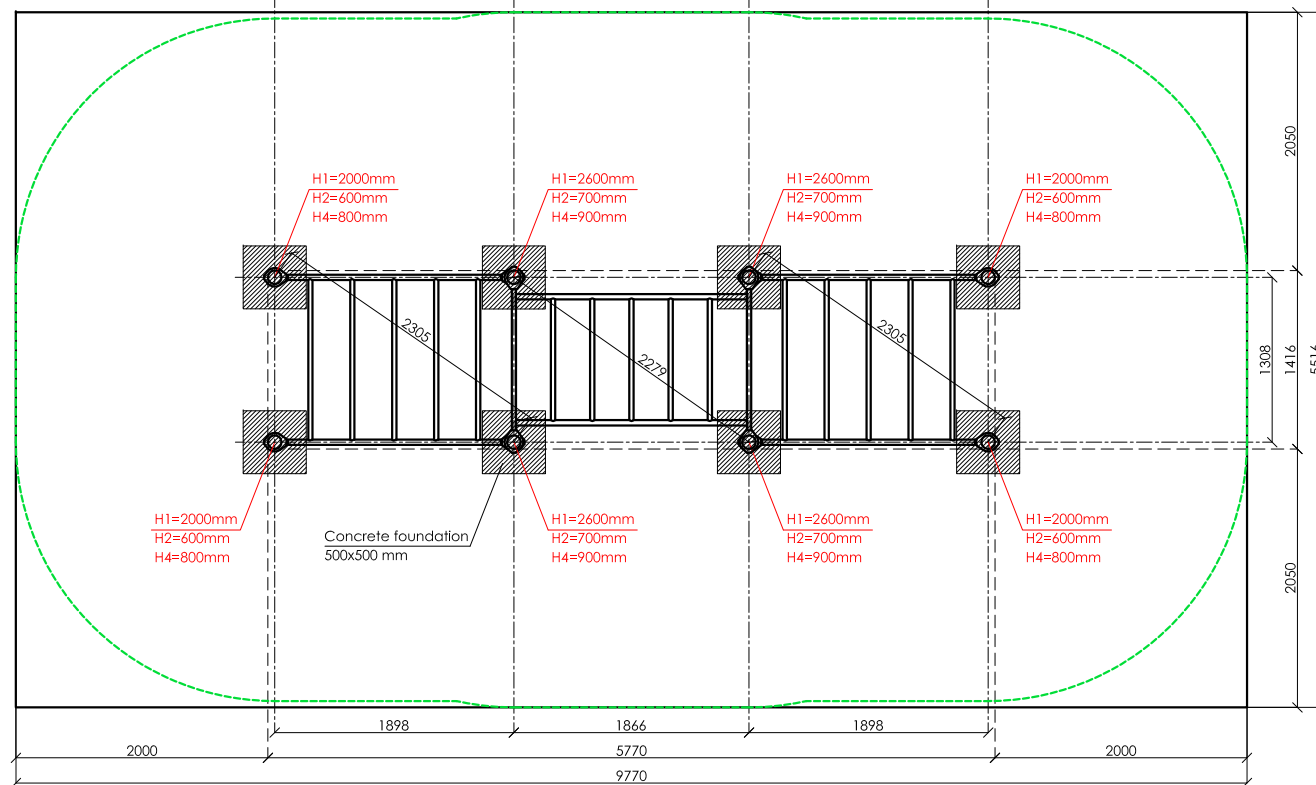
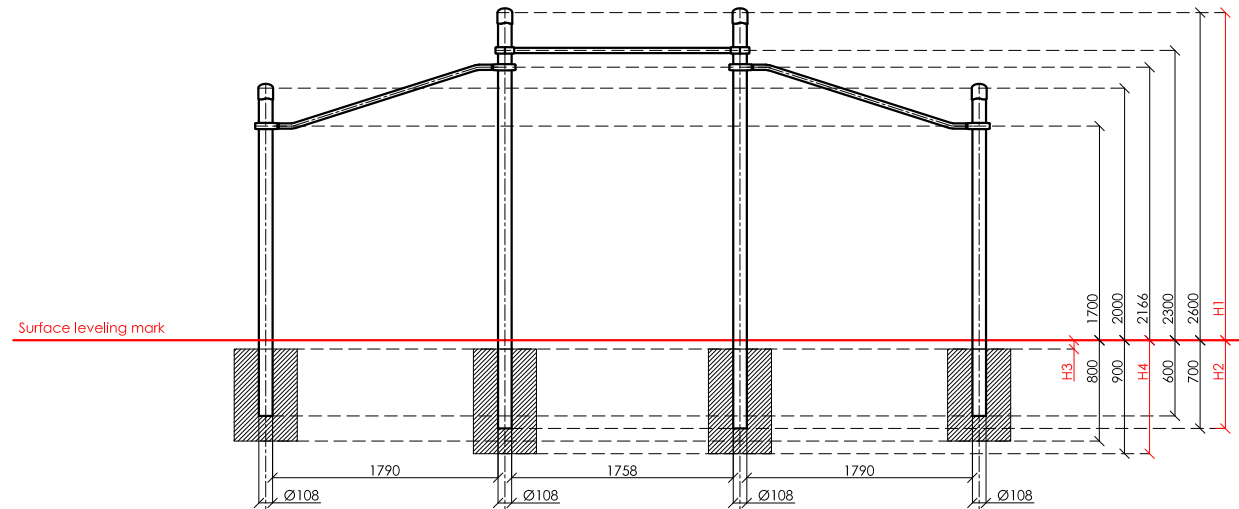
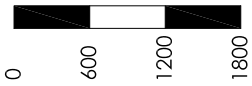


SCALE 1:60



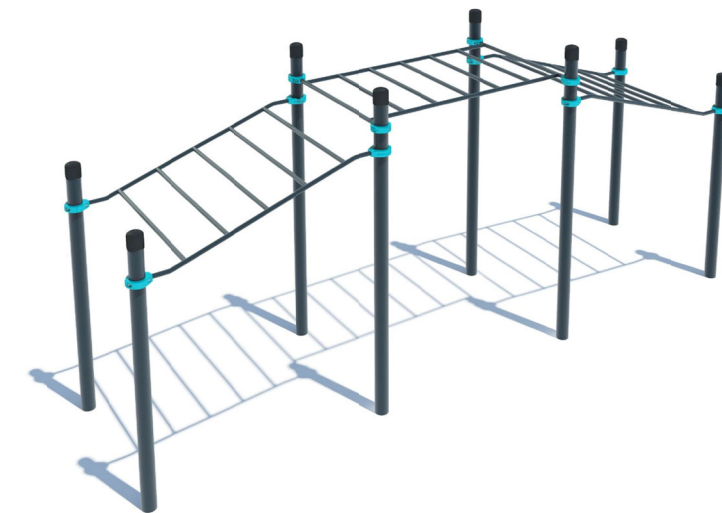
KENGURU PRO

"KENGURU PRO" LTD

Address: Lauteres street 4, Riga, Latvia, LV-1002
 VAT Reg. No. 40103750152
 Bank: A/S Luminor bank, SWIFT: RIKOLV2X,
 Bank Account: LV65RIK00002930161161
 e-mail: info@kengurupro.eu
 www.kengurupro.eu

P-022

Triple level monkey bars



The complex consists of eight vertical columns of different height, a classic monkey bar section and two inclined monkey bar sections. The length of the classic monkey bar is 1900 mm, and the inclined monkey bar is 1790 mm in length. The distance between the crossbars of the classic monkey bar is 311 mm. The distance between the crossbars of the inclined monkey bar is 350 mm. The difference between the lowest and highest point of each inclined monkey bar is 466.3 mm. The structure is secured together with siluminium clamps. Weight - 349.40 kg.

Installation instructions:

- Choose a suitable underground for the unit.
- Prepare the construction pit with a drilling machine or other devices.
- Before pouring the concrete all structures elements must be leveled and fixed.
- Complex elements must be fixed and bolted together with metal clamps.
- Ready-made C25 concrete should be used.
- Crossbars installation height can be changed according to customer's wishes.
- Approximately 0,15m³ concrete is needed for each spot foundation.
- Under the structures we recommend to install absorbing rubber cover.

The size of the hole for the foundation is depending on the consistency of the ground. The dimensions mentioned above are applicable for normal conditions with firm ground. If the ground is extremely soft, a much bigger foundation is needed. Use only appropriate material and follow the installation instructions closely!!!

Foundation plan and area of movement of the P-022 Triple level monkey bars

Technical information

Foundation when using Shock absorbing underground (syntethic – rubber granulates)		Beveling of foundation when using loose filling material		width: 1416 mm	
				height: 2650 mm	
				length: 5770 mm	
				largest part: 3350 mm	
				weight: 349.40 kg	
				floor space required 9770 x 5516 mm	
				pipe measurements: diameter: wall thickness:	
				108 mm 3.2 mm	
				42.4 mm 3.2 mm	
				33.7 mm 3.2 mm	
				metal parts: steel, galvanized, powder coated RAL 7016 (anthracite grey)	
				metal clamps: siluminium, powder coated, RAL 5018 (turquoise blue)	
				bolts for metal clamps: stainless steel, Pin Hex Button Head Security Screws M10	
				max. free fall height: < 2300 mm possible underground see DIN 79000:2012-05 Tab.2 or installation instructions	
				user height: > 140 cm	
				maximum user weight: 130 kg	
				certificates: TÜV Rheinland InterCert Kft.	

