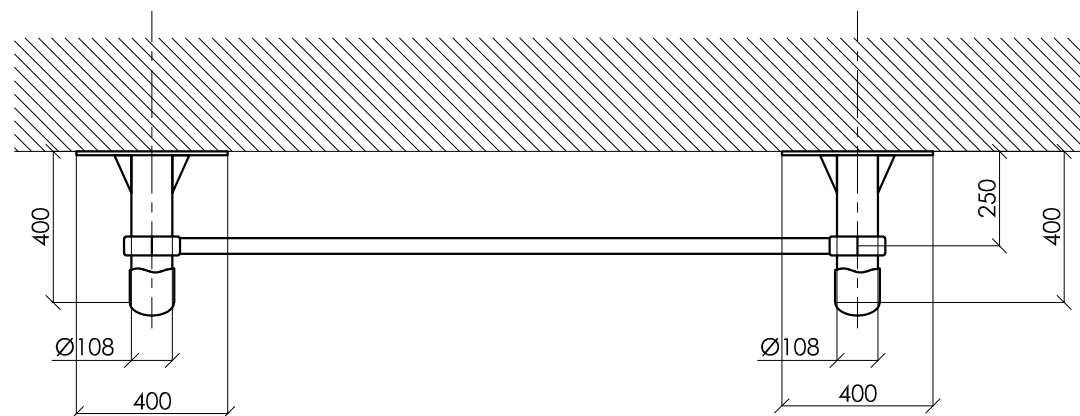
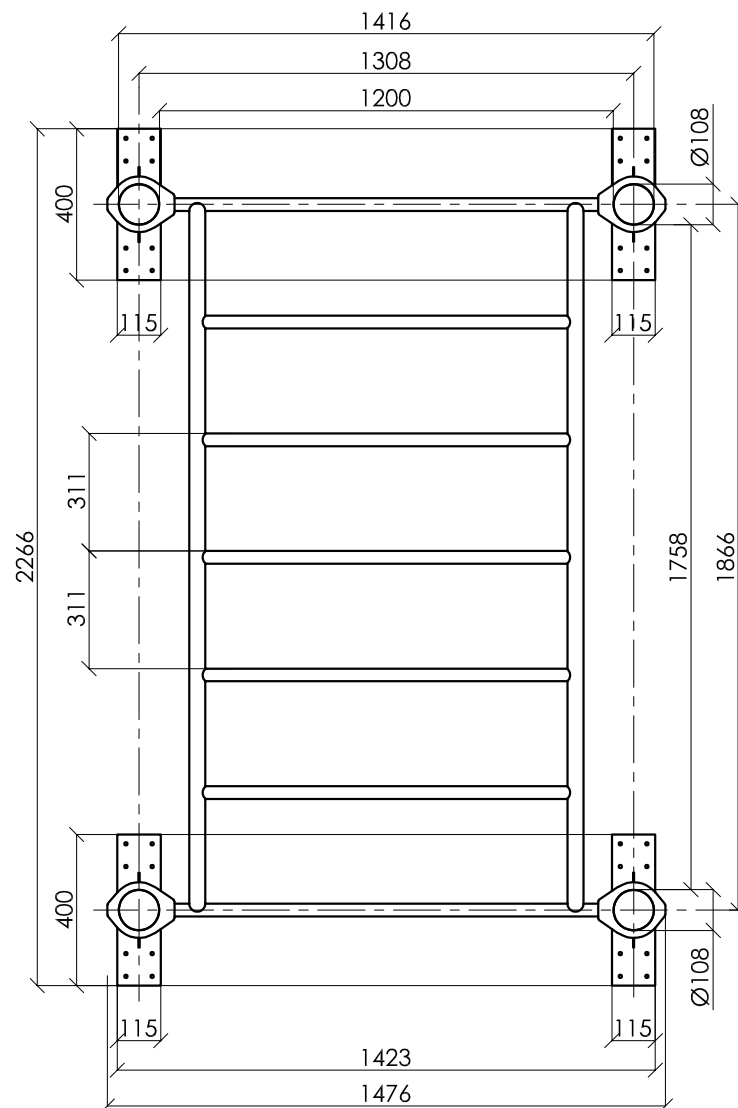
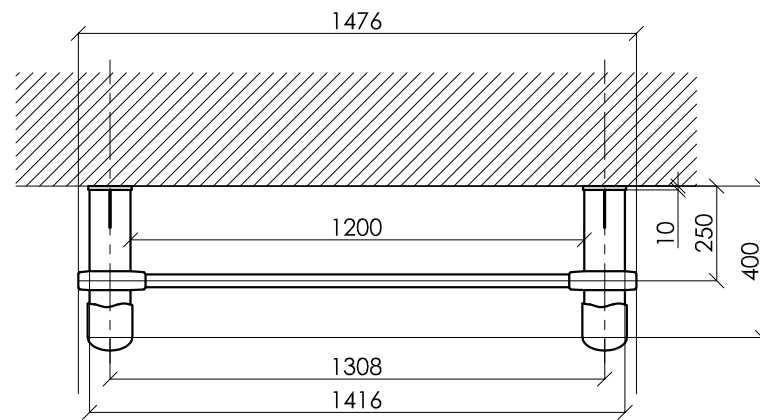
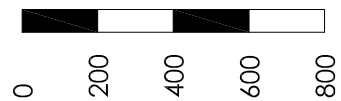


SCALE 1:20



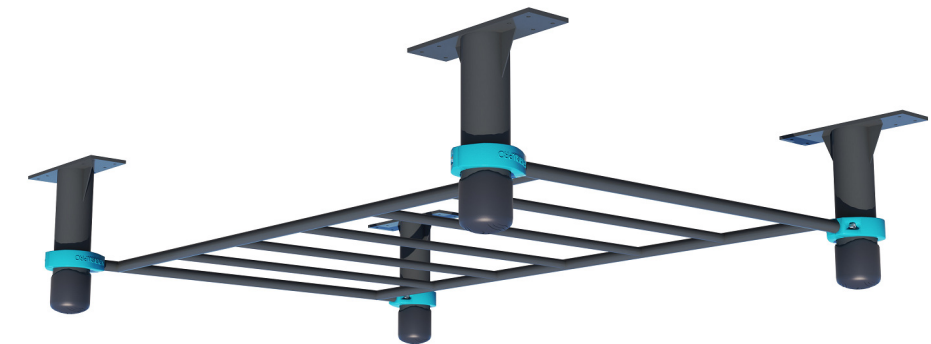
**KENGURU  
PRO**

"KENGURU PRO" LTD

Address: Lauteres street 4, Riga, Latvia, LV-1002  
 VAT Reg. No. 40103750152  
 Bank: A/S Luminor bank, SWIFT: RIKOLV2X,  
 Bank Account: LV65RIKO0002930161161  
 e-mail: info@kengurupro.eu  
 www.kengurupro.eu

WM-005

Kenguru CEILING MOUNT MONKEY BAR



The structure consists of four horizontal 400 mm bars that are mounted to the wall with flanges and a 1900 mm long classic monkey bar. Monkey bar consists of crossbars. The distance between each crossbar is 311 mm. The width of the Monkey bar section is 1200 mm. The structure is secured together with siluminium clamps.

Technical information

width:	1476 mm	
height (distance from the ceiling):	max. 450mm	
length:	2266 mm	
largest part:	2073 mm	
weight:	77,8 kg	
installation height	according to customers wishes (optimum 2200-2500mm)	
pipe measurements:	diameter:	wall thickness:
	108 mm	3.2 mm
	42,4 mm	3.2 mm
	33,7 mm	3.2 mm
metal parts:	steel, galvanized, powder coated RAL 7016 (anthracite grey)	
metal clamps:	siluminium, powder coated, RAL 5018 (turquoise blue)	
bolts for metal clamps	stainless steel, Pin Hex Button Head Security bolts M10	
max. free fall height:	according to installation height	
user height:	> 140 cm	
maximum user weight:	130 kg	
certificates:		