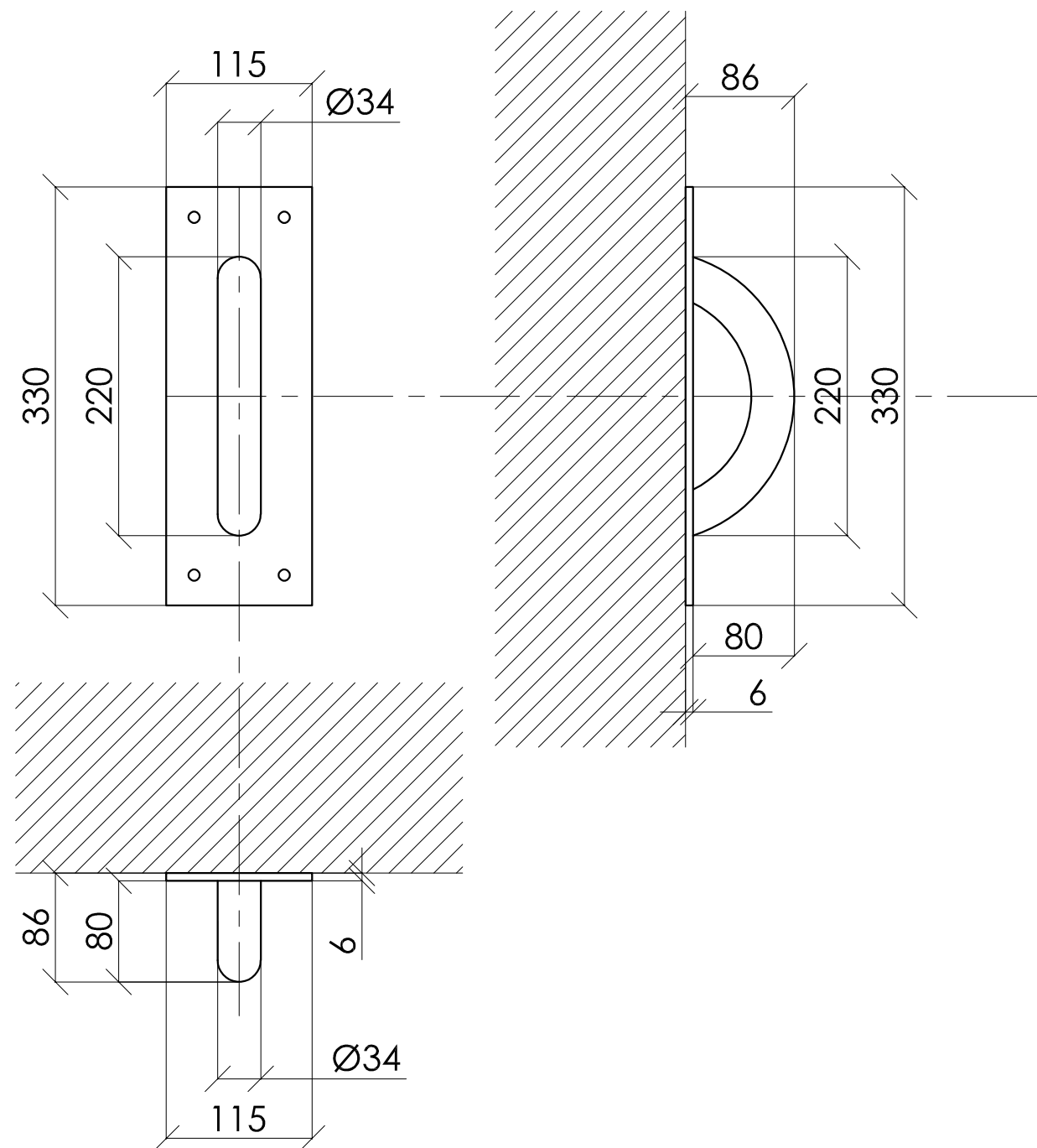
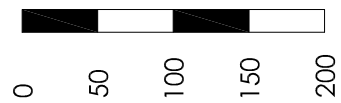


SCALE 1:5



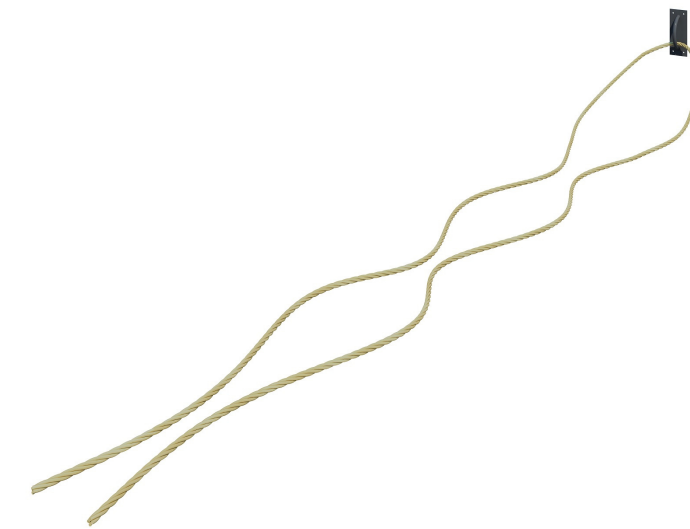
**KENGURU
PRO**

"KENGURU PRO" LTD

Address: Lauteres street 4, Riga, Latvia, LV-1002
 VAT Reg. No. 40103750152
 Bank: A/S Luminor bank, SWIFT: RIKOLV2X,
 Bank Account: LV65RIKO0002930161161
 e-mail: info@kengurupro.eu
 www.kengurupro.eu

WM-003

Kenguru WALL BATTLING ROPE



The structure consists of base plate with a loop with a diameter of 34mm which is mounted to the wall.

Technical information

width:	115 mm	
height:	330 mm	
length (distance from the wall):	86mm	
largest part:	330 mm	
weight:	2.50 kg	
installation height	according to customers wishes (optimum 300-700mm)	
pipe measurements:	diameter:	wall thickness:
	33,7 mm	3.2 mm
metal parts:	steel, galvanized, powder coated RAL 7016 (anthracite grey)	
metal clamps:	-	
bolts for metal clamps	-	
max. free fall height:	according to installation height	
user height:	> 140 cm	
maximum user weight:	130 kg	
certificates:		