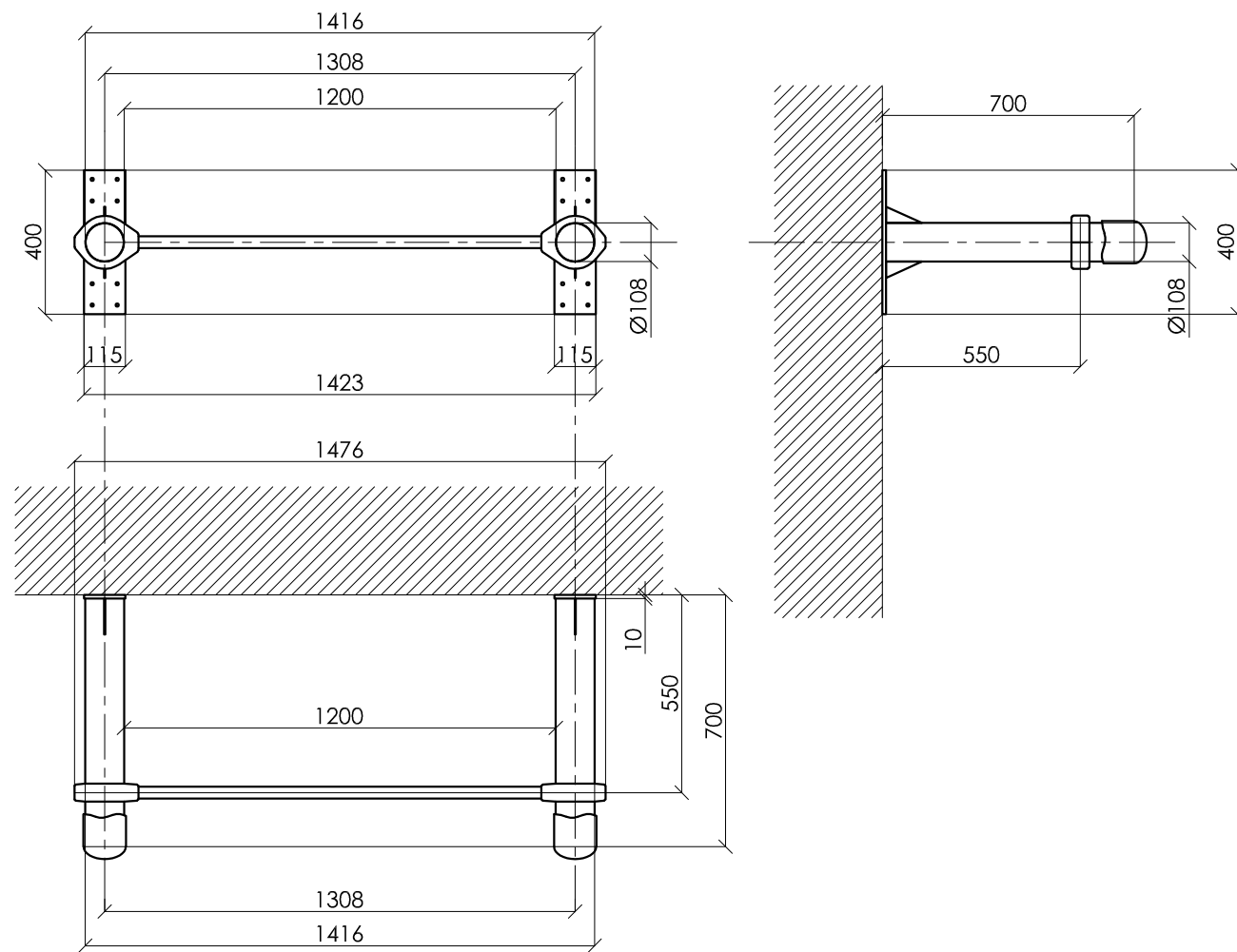
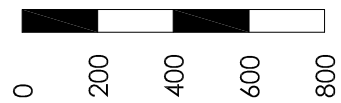


SCALE 1:20



**KENGURU
PRO**

"KENGURU PRO" LTD

Address: Lauteres street 4, Riga, Latvia, LV-1002
 VAT Reg. No. 40103750152
 Bank: A/S Luminor bank, SWIFT: RIKOLV2X ,
 Bank Account: LV65RIKO0002930161161
 e-mail: info@kengurupro.eu
 www.kengurupro.eu

WM-001

Kenguru WALL PULL-UP BAR



The structure consists of two horizontal 700 mm bars that are mounted to the wall with flanges and a 1200 mm wide pullup bar. The structure is secured together with siluminium clamps.

Technical information

width:	1476 mm	
height:	400 mm	
length (distance from the wall):	max. 750mm	
largest part:	1200 mm	
weight:	24,9 kg	
installation height	according to customers wishes (optimum 2100-2500mm)	
pipe measurements:	diameter:	wall thickness:
	108 mm	3.2 mm
	33,7 mm	3.2 mm
metal parts:	steel, galvanized, powder coated RAL 7016 (anthracite grey)	
metal clamps:	siluminium, powder coated, RAL 5018 (turquoise blue)	
bolts for metal clamps	stainless steel, Pin Hex Button Head Security bolts M10	
max. free fall height:	according to installation height	
user height:	> 140 cm	
maximum user weight:	130 kg	
certificates:		