

Articolo /item

Codice / Code

LITTER BIN CORONA STEEL BASE

AC004F

Finitura /Finishing

GALVANIZED AND POWDER COATED



Litter bin composed by 20 stripes in steel plate 25x4 mm welded vertically all along the container to three horizontal rings in steel plate 25x4 mm and on the top properly folded and welded to a ring in steel rod \varnothing 10 mm.

The steel base is obtained through the spin-forming of a steel sheet thickness 20/10.

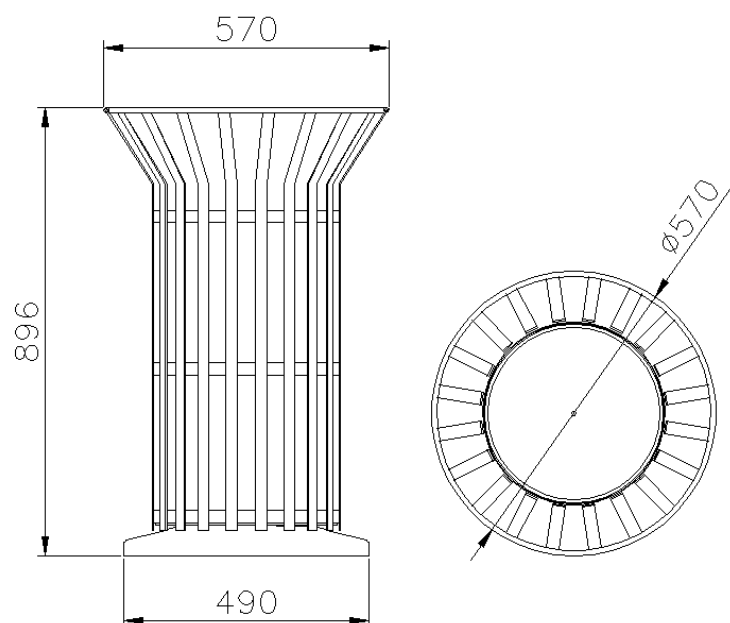
The litter bin is supplied with a cylindrical inner container \varnothing 355, H.750 mm, made of steel sheet 10/10 thick, closed by electrowelding.

The upper part has a electrowelded ring, while the lower part is closed with a bottom with holes for the water drainage and periodic cleaning.

All metal parts are galvanized and powder coated in different RAL colours and all the screws are in stainless steel.

TECHNICAL INFORMATION

Dimensions	\varnothing 570 mm
Height	896 mm
Weight	28 kg
Package	10 pcs on a 130x120 pallet
Capacity	63 litri



NOTE

Rev. 08-2018